

CorkSport Performance

AXO-6-126 Rear Motor Mount Poly Insert

Installation Instructions for the CorkSport Performance Rear Motor Mount Poly Inserts for the 2019+ Mazda 3 and 2020+ CX-30.

Written By: Cody Dunton



INTRODUCTION

In this installation guide we have provided step by step instructions to install the CorkSport Performance Rear Motor Mount

Advisory:

- Working under the vehicle requires a safe and sturdy location for the vehicle to sit on jackstands.
- Reference the owner's manual for proper lifting and jack stand locations
- Engine components will be hot after vehicle use, let the vehicle cool for at least 30 minutes or use a fan to cool the underside of the engine before starting project

TOOLS:

- Hydraulic Jack (1)
- Jack Stand (2)
- 3/8" Drive Ratchet (1)
- Breaker Bar (1)
- Torque Wrench (1)
- Flathead Screwdriver (1)
- 10mm Socket - Deep (1)
- 17mm Socket - Deep (1)
- 19mm Socket - Deep (1)

PARTS:

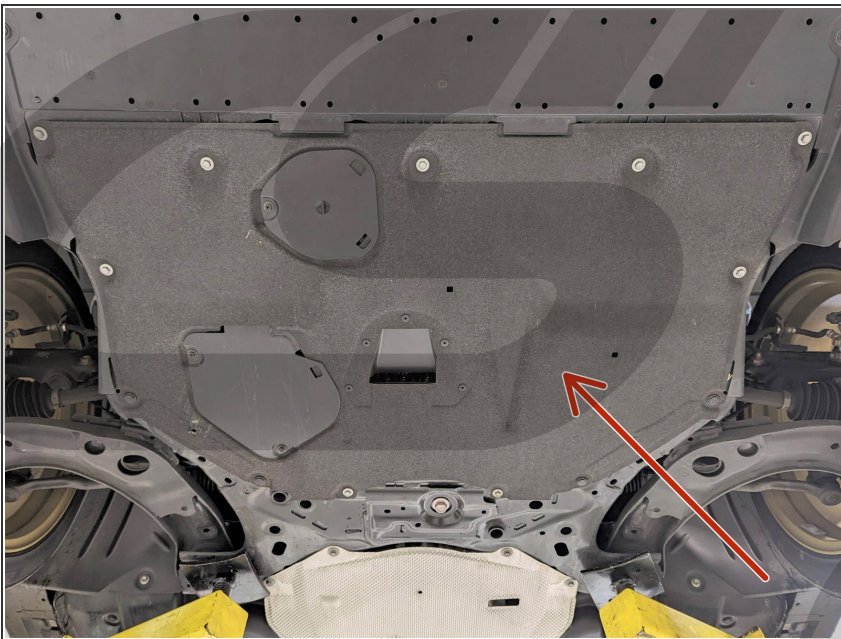
- AXO-6-126-21 RMM Front Insert (1)
- AXO-6-126-22 RMM Rear Insert (1)

Step 1 — Getting Started



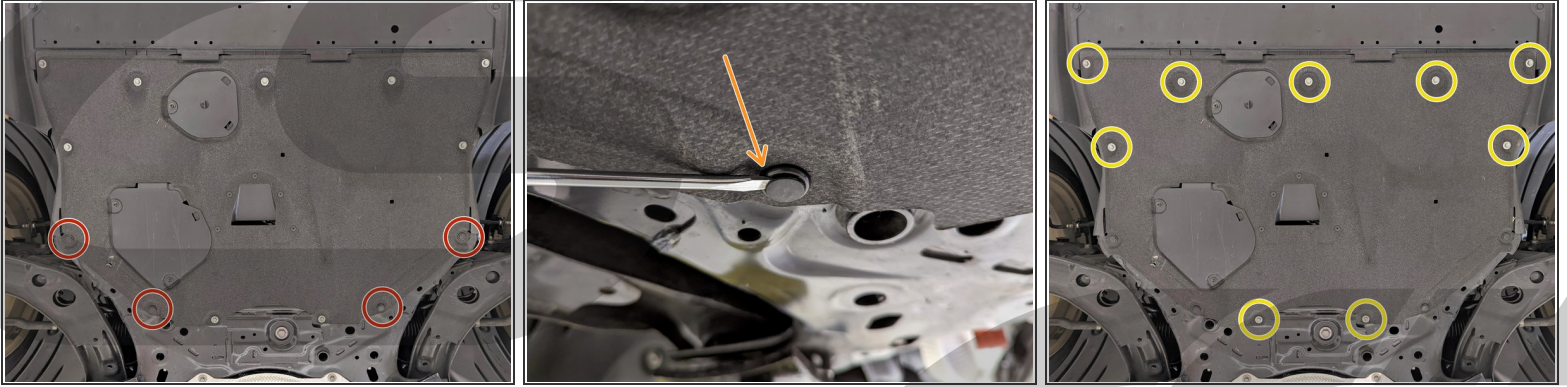
- First and foremost; **THANK YOU** for becoming a part of the CorkSport Family. We hope to bring you the highest level of Parts, Customer Service, & Support
- ⓘ How To Use These Instructions
 - The instruction format will relate colored marking in the image to the color dot in the text to the right of the image

Step 2 — Lifting the Car



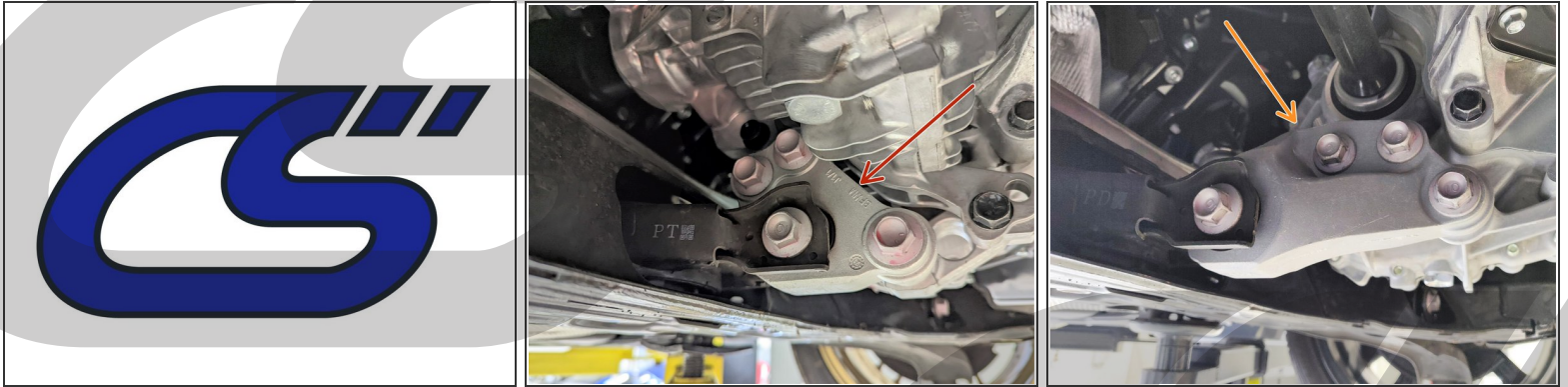
- ⚠ Ensure the vehicle is parked on a level surface before proceeding
- ⚠ Be sure to reference your owner's manual for jack points and the jack manufacturer's instructions for proper practices
- Using OEM lifting locations, start by lifting up the front of the car using the hydraulic jack and jack stands to access the OEM Splash Guard

Step 3 — Removing the Rear Splash Guard Section



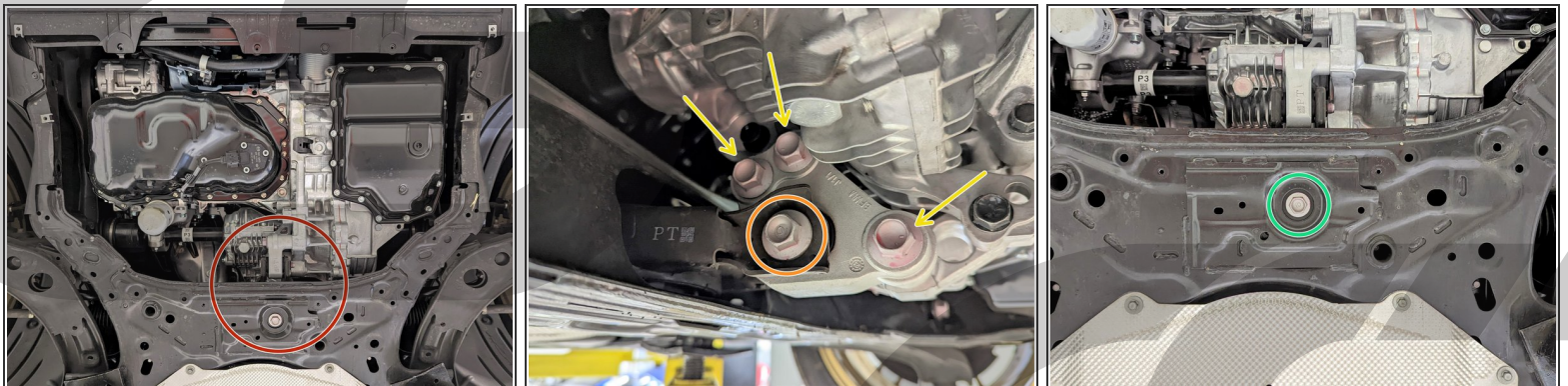
- Using a flathead screwdriver remove the 4 plastic clips
- Remove them by prying down on the center section until it pops out and then remove by hand
- ⓘ The plastic clips can be difficult to remove due to road debris collecting in them. If this is the case slowly work around the center of the clip, prying evenly until they free up
- Using a 10mm socket and ratchet, remove the 9 bolts that secure the OEM Rear Section to the subframe, starting from the ones that are circle at the top of the picture and working your way down
- ⓘ When removing the last bolt make sure to hold the rear section in place so it does not fall

Step 4 — Different Rear Motor Mount Brackets



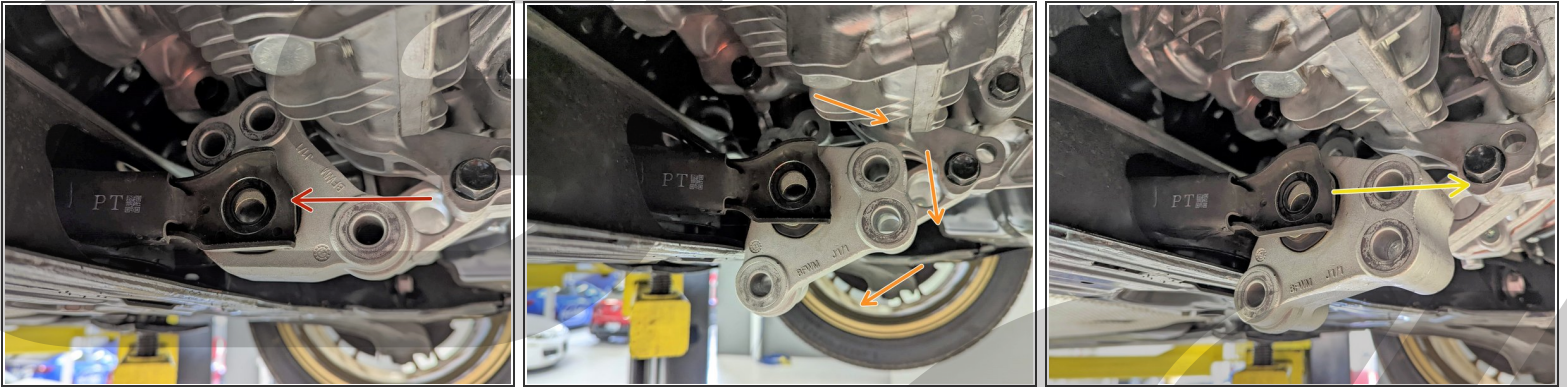
- There are two different Front Motor Mount Brackets depending on if your Mazda has 2WD or AWD and the differences can be seen below:
 - AWD Front Bracket
 - 2WD Front Bracket
- The only difference between the two is the removal of the AWD OEM RMM, which is detailed in the following steps. Installation of the CorkSport RMM Inserts is the same for both options

Step 5 — Removing the OEM Rear Motor Mount - Part 1



- Locate the rear motor mount
- Using a 17mm socket with a breaker bar remove the bolt shown
- Now remove the 3 17mm bolts in the Front Bracket
- Break loose and remove the bolt shown using a 19mm socket

Step 6 — Removing the OEM Rear Motor Mount - Part 2



- The first two steps are only necessary for the removal of the AWD RMM. You can skip to the last step if you are installing on a 2WD car
- Slide the OEM Rear Motor Mount back as far as it will go
- Rotate the OEM Front Bracket clockwise until it is in the position shown
- The OEM Rear Motor Mount assembly can now be slid forward and removed from the subframe

Step 7 — Installing the CS RMM Inserts - Part 1



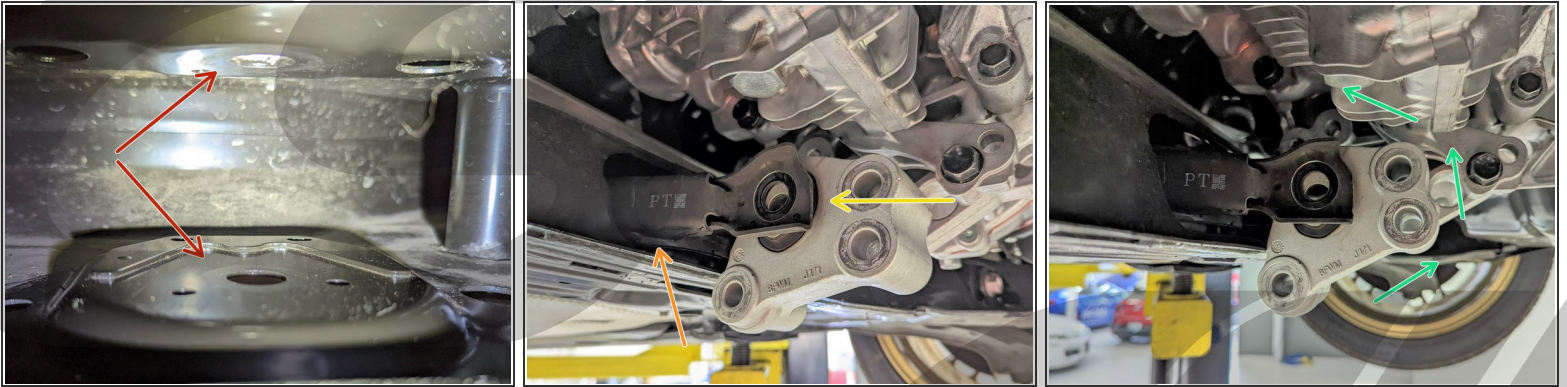
- Set the OEM RMM on a table, matching the orientation with the attached nut on the right side
- Take the larger insert and place it on top of the mount as shown
 - ⓘ The use of lubricant such as glass cleaner will make installation easier
- Push the insert into the RMM, working evenly back and forth between each side of the insert
- The insert will be fully installed once the locking tabs on the opposite side of the mount are in the position shown

Step 8 — Installing the CS RMM Inserts - Part 2

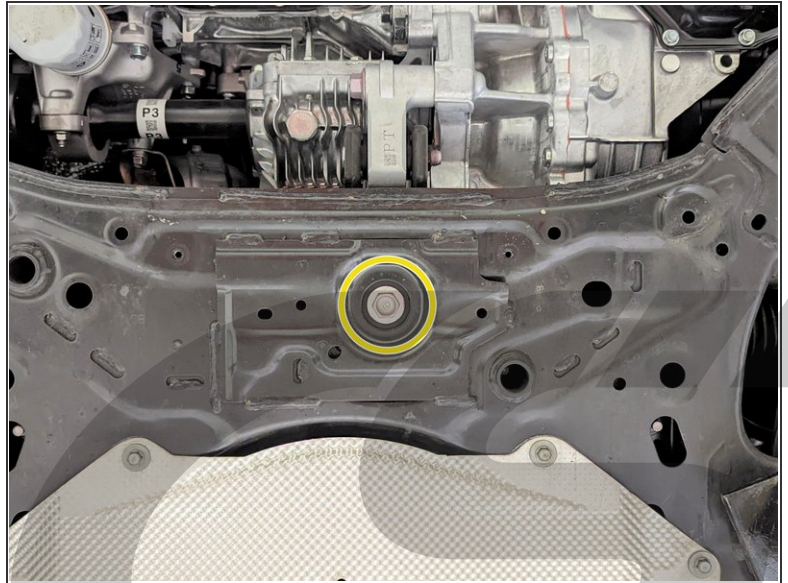
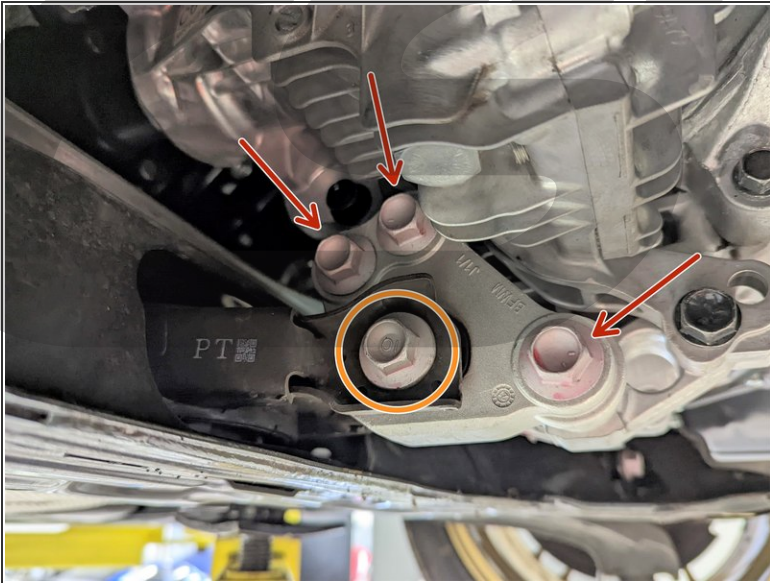


- Take the small insert and place it on top of the mount as shown
- ⓘ Ensure the mount is orientated the same as when the large insert was installed
- ⓘ The use of lubricant such as glass cleaner will make installation easier
- Push the insert into the RMM, working evenly back and forth between each side of the insert
- The insert will be fully installed once the locking tabs on the opposite side of the mount are in the position shown
- Once both inserts are installed, the top side of the mount will appear as shown

Step 9 — Reinstalling the Rear Motor Mount - Part 1

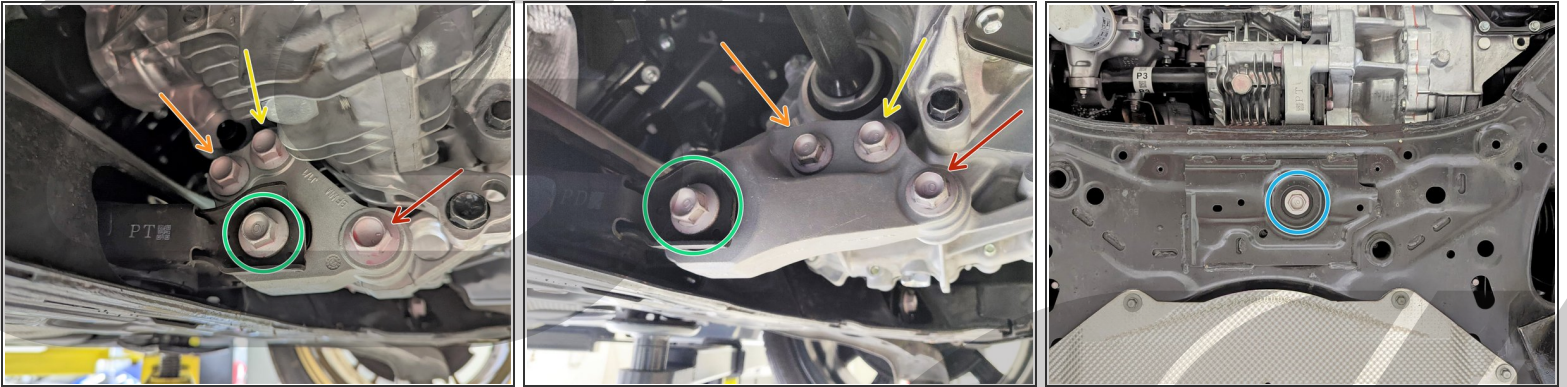


- Clean off any debris that are on the RMM mounting surfaces inside the subframe
- Put the RMM back into the slot in the subframe
 - ⓘ The attached nut should be on the drivers side once installed
- Place the front bracket back into the RMM as shown and slide it all the way back into the subframe
- Rotate the front bracket back into position
 - ⓘ It will be harder to rotate the bracket back into position due to the inserts limiting the movement of the RMM

Step 10 — Reinstalling the Rear Motor Mount - Part 2

- Reinstall the 3 longer 17mm bolts and tighten them until they are snug
- Reinstall the shorter 17mm and tighten until snug
- Place the 19mm bolt back into the subframe and tighten until snug

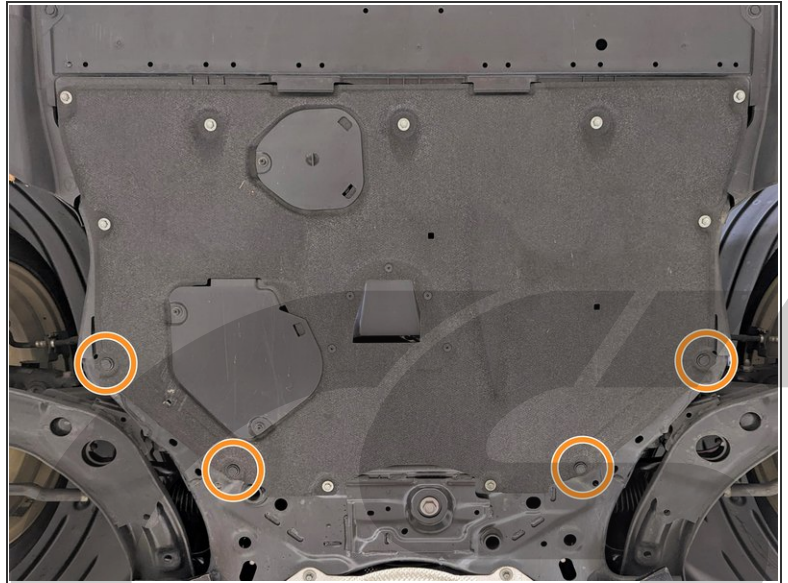
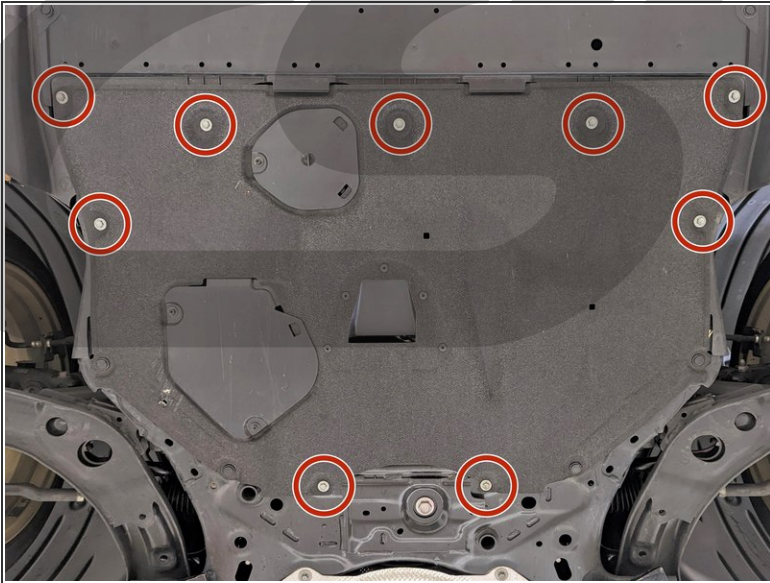
Step 11 — Reinstalling the Rear Motor Mount - Part 3



i Reference the first picture for AWD brackets and the second for 2WD

- Now using a 17mm socket and torque wrench, tighten the 3 bolts to **62-72ft-lbs** in the following order:
 - Bolt 1
 - Bolt 2
 - Bolt 3
- Tighten the last 17mm bolt to **100-120ft-lbs**
- Next, tighten the 19mm bolt to **110-120ft-lbs**

Step 12 — Reinstalling the Rear Splash Guard Section



- Using a 10mm socket and ratchet, install the 9 bolts that secure the OEM Rear Section to the subframe and torque to **80-100in-lbs**.
- Reinstall the 4 plastic clips in the locations shown.

Step 13 — Installation Complete



- This completes your installation of the CorkSport Performance Rear Motor Mount Inserts!
- ⓘ Listen for any strange noises upon first drive. If any are present, inspect the hardware for proper torque.
- Contact us with any questions or concerns at sales@corksport.com or (360) 260-2675.
- Please leave a review here: <https://corksport.com/>
- Share your experience using #CorkSport on Instagram, Facebook, and Twitter.